



LUMAR IDEAL II inc.

Meat grinder



- Stainless steel construction
- High capacity head
- Deep pan
- Easy to clean
- Emergency stop button included
- MG-122: Motor: 1 h.p. 110 volts 1 phase.
- MG-222: Motor: 2 h.p. 220 volts 1 phase.

IDEAL

MG-122 | MG-222

Lumar Ideal II inc. 2150 de la Province, Longueuil, Québec J4G 1R7
phone.: (450) 442-4450 / fax: (450) 442-7665 / e-mail: info@lumar.ca

IDEAL Meat grinder



Safety protector guard in the feeding area avoiding accidents.

IDEAL



The powerful oil bathed steel gears transmission guarantees a long lasting life with minimum noise and low maintenance cost.



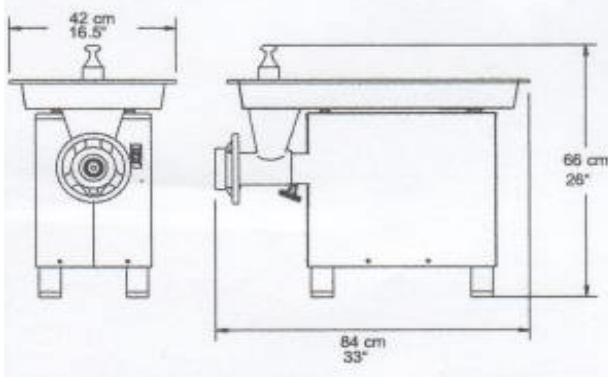
Its high capacity head holds bigger pieces in to the grinding system, avoiding down time in cutting into smaller pieces.



Grinding system components are strong cast iron parts with dip tin plating for hygiene and corrosion resistance.

- Includes:**
- 3/16" plate
 - #22 knife
 - Stomper

Dimensions:



Specifications:

Model	MG-122	MG-222
Motor	1 hp. 1 ph. 60 hz.	2 hp. 1 ph. 60 hz
Voltage	110	220
Production capacity (3/8)	9.60 kg/min 21 lb/min	9.75 kg/min 21.46 lb/min
Production capacity (1/8)	5.50 kg/min 12 lb/min	5.85 kg/min 12.87 lb/min
Net weight	57 kg / 125.5 lb	60 kg / 132 lb
Shipping weight	71 kg / 156 lb	74 kg / 163 lb

MG-122 / MG-222

