



LUMAR IDEAL II inc.

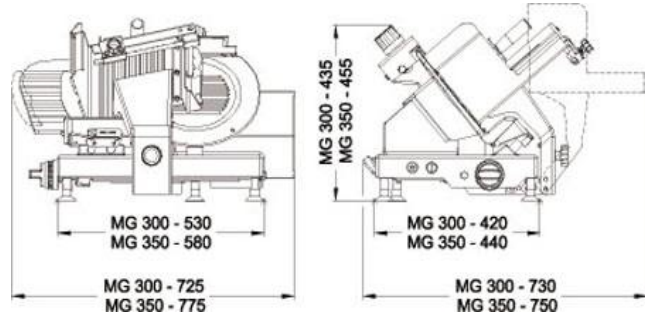
Slicer



MG-300



MG-350



MOD.	Blade mm (in.)	Kg.	CV. / HP	Cutting capacity	
				Max. mm	Max. mm
MG-300	292 (11.5")	42	0,4	265 X 160	195
MG-350	350 (13.75")	47	0,4	305 X 205	250

- Blade protection ring.
- Safety device on blade cover.
- 24 V. low-tension safety system.
- Crown drive transmission.
- Slicer constructed of 18/8 stainless steel.
- Automatic blade sharpener.
- Cutting thickness: 0-25 mm

IDEAL

MG-300|MG-350

Lumar Ideal II inc. 2150 de la Province, Longueuil, Québec J4G 1R7
phone.: (450) 442-4450 / fax: (450) 442-7665 / e-mail: info@lumar.ca