



LUMAR IDEAL II inc.

Meat grinder



- Stainless steel construction
- High capacity head
- Deep pan
- Easy to clean
- Emergency stop button included
- Motor: 3 h.p. 220 volts 1 phase. (MG-332T)
- Motor: 3 h.p. 208 volts 3 phases. (MG-332T3)

IDEAL

MG-332T | MG-332T3

Lumar Ideal II inc. 2150 de la Province, Longueuil, Québec J4G 1R7
phone.: (450) 442-4450 / fax: (450) 442-7665 / e-mail: info@lumar.ca

IDEAL Meat grinder



Deflector on the head.
To avoid product's spatter that could exist due to air pockets.

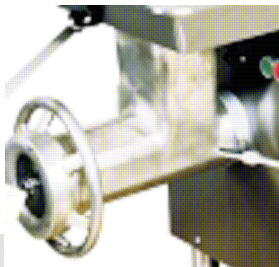


Safety protector guard in the feeding area avoiding accidents.

IDEAL



The powerful oil bathed steel gears transmission guarantees a long lasting life with minimum noise and low maintenance cost.



Its high capacity head holds bigger pieces in to the grinding system, avoiding down time in cutting into smaller pieces.

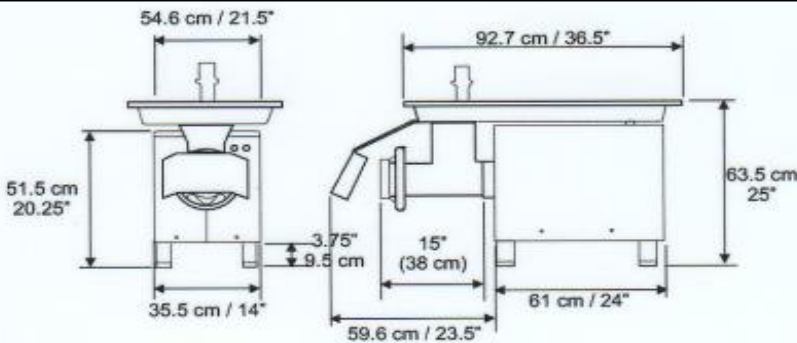


Grinding system components are strong cast iron parts with dip tin plating for hygiene and corrosion resistance.



Includes:
- 3/16" plate
- #22 knife
- Stomper

Dimensions:



Specifications:

Modèle	MG-332T	MG-332T3
Moteur	2.5 hp. 1 ph. 60 hz.	3 hp. 3 ph. 60 hz
Voltage	220	208
Production capacity (3/8)	25 kg/min - 55 lb/min	25 kg/min - 55 lb/min
Production capacity (1/8)	13 kg/min - 29 lb/min	13 kg/min - 29 lb/min
Net weight	106 kg / 233 lb	106 kg / 233 lb
Shipping weight	122 kg / 268 lb	122 kg / 268 lb

MG-332T / MG-332T3

